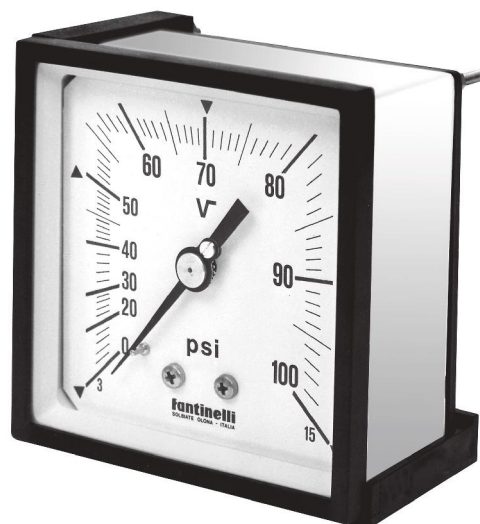
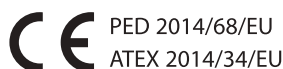




PQ SERIES

Square casing pressure gauges

- ◆ stainless steel C-Bourdon tube pressure element;
- ◆ NS 96x96 - 144x144;
- ◆ ranges included between -1 and 600 bar.



TECHNICAL FEATURES

- **Nominal sizes**
 - 96x96 and 144x144.
 - **Casing**
 - back plate in AISI 304 stainless steel sheet and plastic front rim.
 - **Window**
 - methacrylate.
 - **Blow-out device**
 - rubber plug.
 - **Pressure connection (according to EN 837-1)**
 - AISI 316L stainless steel with Gas (BSP) or NPT thread as per PQ table F dimension, otherwise only on request, different from those indicated.
 - **Pressure element**
 - AISI 316L stainless steel.
 - **Welding**
 - TIG.
 - **Movement**
 - stainless steel.
 - **Ranges (according to EN 837-1)**
 - **Graduation:**
 - pressure gauges: 0 ÷ 0,6; 0 ÷ 1; 0 ÷ 1,6; 0 2,5; 0 ÷ 4; 0 ÷ 6; 0 ÷ 10; 0 ÷ 16; 0 ÷ 25; 0 ÷ 40; 0 ÷ 60; 0 ÷ 100; 0 ÷ 160; 0 ÷ 250; 0 ÷ 400; 0 ÷ 600;
 - vacuum gauges: -1 ÷ 0;
 - compound gauges: -1 ÷ 0,6; -1 ÷ 1,5; -1 ÷ 3; -1 ÷ 5; -1 ÷ 9; -1 ÷ 15; -1 ÷ 24;
 - (divisions as per table C1 at page P08)
 - another graduations not normalized for single or double range (on request).
 - **Unit of pressure:**
 - bar, kPa, MPa, kg/cm² and psi for single or double range.
 - **Scale angle:**
 - 270 °.
- **Working pressure (referred to full scale deflection)**
 - steady from 1/10 to 3/4;
 - fluctuating from 1/10 to 2/3.
- **Over-pressure (occasionally allowed)**
 - 130% of full scale value.
- **Pointer**
 - aluminium not adjustable.
- **Dial**
 - white aluminium with black figures (for dial modifications see available options).
- **Accuracy (according to EN 837-1)**
 - class 1 ($\pm 1\%$ of full scale deflection).
 - note 1:** accuracy indicated on the pressure gauge does not consider the interference of an eventually applied electric contact.
 - note 2:** diaphragm seal affects the accuracy of the instruments according to table FP 1 at page FPO3.
- **Ambient temperature**
 - -10 ÷ +60 °C.
- **Operating temperature**
 - -10 ÷ +120 °C.

APPLICATIONS

- **Diaphragm seal (see FP series)**

the instrument is identified with the code of chosen model, adding the seal reference, only for model FP 235, FP 335 and FP 337 (see relating series).
(identification FR..)
- **Electric contact (see CE series)**

instrument can be identified by the number of the chosen model, adding the reference of the switching action as shown in tables of the CE series.
(identification CE...)
- **Accessories (see AM series)**
 - cooling siphons, recommended when high temperatures are involved;
 - valves;
 - dampers for control of process fluid entry speed into the instrument;
 - adjusting over-pressure protectors to cut automatically off the instrument from the circuit.



OPTIONS

- **Restrictor**
applicable to pressure connection to reduce the process fluid entry speed into the instrument.
(identification V26)
- **Degreasing for oxygen service**
(identification V31)
- **Pressure connection**
different from standard. **(identification V42)**
- **Changes to the dial**
 - serial number; **(identification V50)**
 - specific dial; **(identification V51)**
 - red mark; **(identification V52)**
 - writings; **(identification V53)**
 - TAG number; **(identification V54)**
 - dial without logo; **(identification V56)**
 - double logo (Fantinelli + customer); **(identification V57)**
 - customer's logo. **(identification V58)**

DOCUMENTATION

- **Fantinelli calibration certificate class 1**
rising pressure.
(identification V92)
- **Complementary documents**
 - o certificate of compliance EN 10204-2.2.
 - o technical documentation including;
 - drawings and technical informations;
 - installation and maintenance instructions;
 - o PED declaration.

TECHNICAL INFORMATIONS

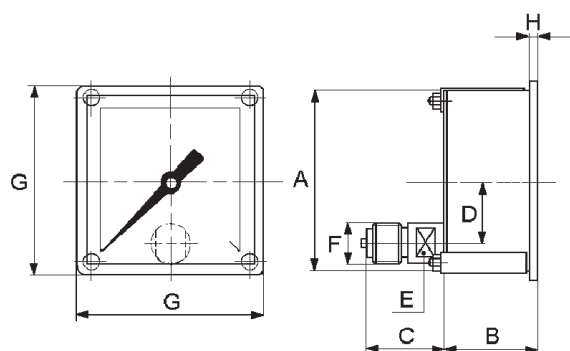


Table PQ 318

DN	A	B	C	D	E	F	G	H	I	L	M	PESO ~ kg
96x96	91x91	49	37	31	17	1/2	96	7				0,55
144x144	137x137	50	36	33	17	1/2	144	7				1,06

Pressure gauge for flush mounting with clamp fixing.

note: informations shown in this series may be changed at any time without prior notice.