



TV SERIES

Glass thermometers

TV 424

- ◆ painted aluminium watertight rectangular casing;
- ◆ adjustable or rigid stem;
- ◆ ranges included between -30 and +600 °C.

TV 426

- ◆ anodized aluminium V-shaped casing;
- ◆ rigid stem;
- ◆ ranges included between -100 and +650 °C.

TV 424 TECHNICAL FEATURES

- **Nominal sizes**
 - 180 x 55 e 250 x 55.
- **Casing**
 - aluminium painted with black epoxy powder.
- **Protection (according to EN 60529)**
 - IP 54.
- **Window**
 - glass.
- **Thermometric capillary**
 - glass prismatic section, with coloured reflection.
- **Ranges (see table TV 1)**
 - **Graduation:**
 - 0 ÷ 80; 0 ÷ 100; 0 ÷ 120; 0 ÷ 160; 0 ÷ 250;
 - 30 ÷ +70; -20 ÷ +80; -20 ÷ +140; -10 ÷ +50;
 - +100 ÷ +500; +200 ÷ +600.
 - **Unit of temperature:**
 - °C (Celsius degrees).
 - **Execution:**
 - standard as per table TV 1;
 - special execution.

note: ranges +100 ÷ +500 °C and +200 ÷ +600 °C are not available for model TV 424-S.
- **Dial**
 - white aluminium with black figures.
- **Accuracy**
 - class 1 (± 1% of full scale deflection).
- **Every angle (TV 424-S)**

light alloy with screw clamping - it allows changes of the thermowell stem angle when there are positioning difficulties; besides, a further right-hand or left-hand rotation of the casing after installation allows to improve the instrument reading.
- **Sensitive stem**

cylindrical diameter 12 mm, length L to be agreed (thread included), between a minimum of 80 mm and a maximum of 400 mm:

 - brass (execution G1);
 - AISI 316 stainless steel (execution G2).
- **Connection**

male threaded M:

 - G 1/2 B (1/2 Gas or BSP);
 - 1/2-14 NPT EXT (1/2 NPT);
 - others on request.
- **Thermowell**
 - **Material:**

pipe diameter 15 mm, length U (thread escluded) to be agreed:

 - brass (execution P1);
 - AISI 316 stainless steel (execution P2).
 - **Male threaded connection M:**
 - G 1/2 B (1/2 Gas or BSP);
 - 1/2-14 NPT EXT (1/2 NPT);
 - others on request.

Table TV 1

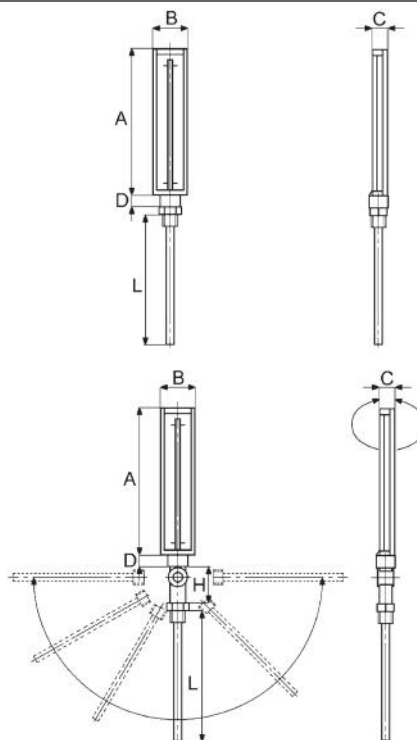
TV 424 glass thermometers graduation divisions according to range and nominal size

Range °C	DN - NS	
	180 x 55	250 x 55
	Division °C	Division °C
0 ÷ 80	1	1
0 ÷ 100	1	1
0 ÷ 120	2	1
0 ÷ 160	2	1
0 ÷ 250	5	2
-30 ÷ +70	1	1
-20 ÷ +80	1	1
-20 ÷ +140	2	1
-10 ÷ +50	1	1
+100 ÷ +500	5	5
+200 ÷ +600	5	5



TECHNICAL INFORMATION

TV 424-S



TV 424

TV 424-S

Glass thermometers with watertight rectangular casing

Table TV 424

DN	A	B	C	D	E	F	G	H	I	L	M	N	PESO ~ kg
180x55	180	55	24	15				58					0,50
250x55	250	55	24	15				58					0,70

TV 426 TECHNICAL FEATURES

- **Nominal sizes**
 - 110x35 - 150x35 - 200x35.
- **Casing**
 - brass-coloured anodized aluminium.
- **Thermometric capillary**
 - glass.
- **Ranges**
 - **Graduation:**
 - 0 ÷ 50; 0 ÷ 100; 0 ÷ 120; 0 ÷ 150; 0 ÷ 160;
 - 0 ÷ 200; 0 ÷ 250; 0 ÷ 300; 0 ÷ 400; 0 ÷ 500;
 - 0 ÷ 600; -100 ÷ +30; -60 ÷ +40; -50 ÷ +50;
 - 40 ÷ +40; -30 ÷ +50; -10 ÷ +50; -10 ÷ +110;
 - 20 ÷ +70; +100 ÷ +650.
 - **Unit of temperature:**
 - °C (Celsius degrees).
 - **Execution:**
 - standard as per table TV 2;
 - special execution.
- **Graduation**
 - vetrified, indelible on thermometric capillary with length:
 - 58 mm for NS 110x35;
 - 90 mm for NS 150x35;
 - 125 mm for NS 200x35.
- **Numeration and unit of temperature**
 - indelible black on a side of the casing.
- **Accuracy**
 - class 1 ($\pm 1\%$ of full scale deflection).
- **Sensitive stem**
 - cylindrical diameter 10 mm:
 - **Length:**
 - standard (thread included) 35, 40, 48, 63, 80, 100, 160, 200 and 300 mm.
 - **Material:**
 - brass (execution G1);
 - AISI 316 stainless steel (execution G2).
- **Connection**
 - threaded:
 - G 1/2 B male fixed (1/2 Gas or BSP);
 - 1/2-14 NPT EXT male fixed (1/2 NPT);
 - others on request.
- **Thermowell**
 - **Material:**
 - pipe diameter 13 mm, length U (thread excluded) to be agreed:
 - brass (execution P1);
 - AISI 316 stainless steel (execution P2).
 - **Male threaded connection M:**
 - G 1/2 B (1/2 Gas or BSP);
 - 1/2-14 NPT EXT (1/2 NPT);
 - others on request.



Table TV 2

TV 426 glass thermometers measuring ranges and divisions according to nominal size

DN 110 x 35		DN 150 x 35		DN 200 x 35	
Range	Div.°C	Range	Div.°C	Range	Div.°C
		0 ÷ 100	2	0 ÷ 120	1
		0 ÷ 120	2	0 ÷ 150	1
		0 ÷ 150	2	0 ÷ 160	2
		0 ÷ 160	2	0 ÷ 200	2
0 ÷ 50	1	0 ÷ 200	5	0 ÷ 400	5
0 ÷ 100	2	0 ÷ 250	5	0 ÷ 500	5
0 ÷ 120	2	0 ÷ 300	5	0 ÷ 600	5
0 ÷ 160	2	0 ÷ 400	5	-100 ÷ +30	1
0 ÷ 200	5	0 ÷ 500	10	-50 ÷ +50	1
-40 ÷ +40	1	0 ÷ 600	10	-30 ÷ +50	1
		-60 ÷ +40	2	-10 ÷ +50	1
		-40 ÷ +40	1	-10 ÷ +110	1
		-30 ÷ +50	1	+20 ÷ +70	1
		-10 ÷ +50	1	+100 ÷ +650	5

TV 426



TV 426-A

Glass thermometers with anodized aluminium V-shaped casing.

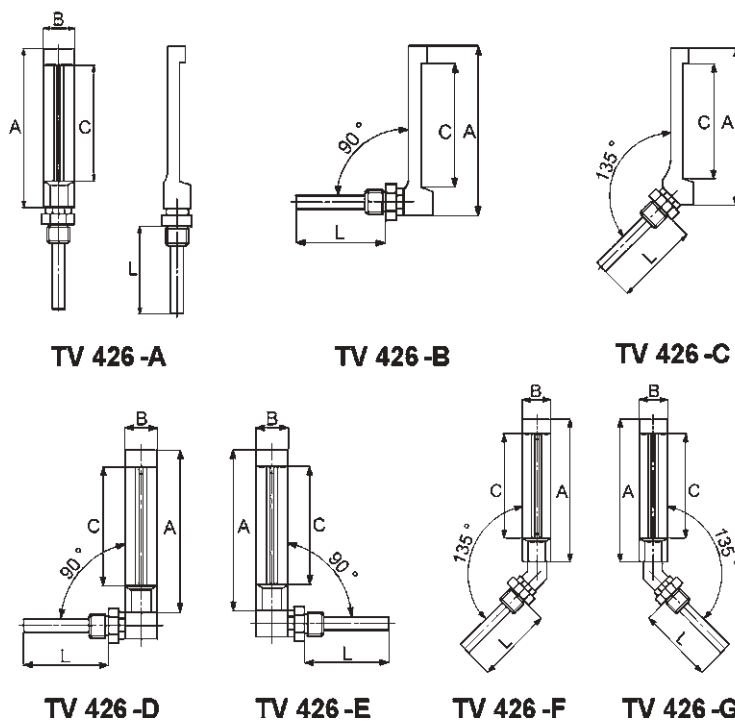


Table TV 426

DN	A	B	C	D	E	F	G	H	I	L	M	N	PESO ~ kg
110x35	110	30	70										0,25
150x35	150	35	110										0,32
200x35	200	35	150										0,44

Model TV 426-C is not available in NS 150x35

note: informations shown in this series may be changed at any time without prior notice.